

**SERVED BY:**

Rev. Thomas Maher, Pastor  
Rev. James Redstone, Weekend Assistant  
Deacon Michael Abatemarco  
Deacon George Prevosti  
Deacon Kevin Smith

**SACRAMENT OF BAPTISM**

Baptisms may be arranged for most Sundays of the year at 1:00PM. Please call the parish office to schedule a Baptism.

**SACRAMENT OF RECONCILIATION**

Confessions are heard every Saturday after the 9:00AM Mass, 1/2 hour before each weekend Mass and Wednesday evenings at 6:00PM.

**RITE OF CHRISTIAN INITIATION OF ADULTS**

Those who wish to enter the Catholic faith and Catholics who wish to complete the sacraments of First Communion and Confirmation are most welcome to begin the journey at any time. Please call the parish office if interested.

**SACRAMENT OF MARRIAGE**

Engaged couples should call the parish office for an interview appointment one year before the wedding date.

**SACRAMENT OF THE SICK**

The Sacrament of the Anointing of the Sick will be administered at anytime. Please call the parish office.

**OBTAIN A MASS CARD**

During office hours we welcome those who would like to request that their special intentions or deceased loved ones be prayed for particularly at a weekday or weekend Mass. We ask for a donation of \$10 per Mass.

**OBTAIN A CERTIFICATE OF ELIGIBILITY:**

Registered parishioners who have been asked to be a Godparent or Confirmation Sponsor, should call the parish office to request a certificate of eligibility.

**REGISTER FOR THE PARISH**

We are so happy to welcome new members of our Parish Family! Please come to the parish office so that we can get your information and meet you.

**OFFICE HOURS:**

Monday thru Friday  
9:30AM to 3:00PM



*The Parish Family of*

**ST. WILLIAM THE ABBOT**

2740 Lakewood Allenwood Road, Howell, NJ 07731  
732-840-3535

www.stwilliamtheabbot.com  
email: stwilliam@optonline.net

***Our Mission***

*We, the parish family of St. William the Abbot, a welcoming Catholic community, led by the Holy Spirit, are called to proclaim, and to witness to, the Good News of Salvation, so that we may grow together, among all generations, and advance the Kingdom of God, in our love and service of God and neighbor.*

**COME WORSHIP WITH US**

**Weekends**

Saturday: 5:00PM

Sunday: 8:00AM, 10:15AM, 11:45AM

**Weekdays**

Monday & Tuesday: 9:00AM

Wednesday: 9:00AM & 7:00PM

Thursday, Friday & Saturday: 9:00AM

*September 12, 2021*

*Twenty-fourth Sunday in Ordinary Time*

# Offering Envelopes



## Why should I use weekly envelopes?

The use of envelopes is important. They document your active participation in the faith life of our parish. This information is needed in order to obtain a Letter of Eligibility to be issued when you are asked to

be a baptism or confirmation sponsor. This also facilitates the preparation of a statement of contributions for income tax purpose. If you do not currently participate in our envelope system and would like to start using them, please contact the Parish Office.



Weekly Collection for September 5	\$5,185
Mortgage Reduction	200
Votive Candles	<u>236</u>
Total	\$5,621

102 Envelopes

**Thank You!** We are so grateful to all those who financially sacrifice each week to support our parish and it's ministries! We would especially like to thank all of those who faithfully use their weekly parish contribution envelopes and those

## Rosary



Thank you to everyone who handed in their tally sheets for praying the rosary. So far we have prayed the rosary 2,647 times. Congratulations! Keep up the good work! Remember to pray one decade for St. William the Abbot Parish. The Rosary is also prayed here in the church after the 9AM Mass everyday. All are welcome.

Here is the link to our Facebook page:

<https://m.facebook.com/Saint-William-the-Abbot-Catholic-Church-174135519840986/?tsid=0.37482415393666724&source=result>

## Upcoming events here at St. William:

September 17, 6:30PM,  
Treasures of the Church  
Relics of the Saints

September 19  
Back to school!  
School of Religion starts  
and our first Hospitality Sunday in over a year!

Also, mark your calendars for December 15 and 16. Jon Leonetti will be here for an Advent Parish Mission!

"Please prayerfully consider giving to our parish community online as it does benefit our parish in many important ways."



IT'S SAFE. IT'S SIMPLE. IT'S CONVENIENT.

Donate today using your debit card, credit card, checking, or savings account.

- 1 Visit your church website and click **Give Online**.
- 2 Set up your account.
- 3 Choose a payment option and customize your donation.



Contact our Customer Support Team at [weshare@4lpi.com](mailto:weshare@4lpi.com)



The Bishop's Anniversary Blessing for couples living in Monmouth County will be held at the Co-Cathedral of St.

Robert Bellarmine in Freehold on Sunday, October 10, at 3PM. All couples celebrating their 1st, 25th or 50+ wedding anniversary during the 2020 or 2021 calendar year are invited to share the Eucharist, reaffirm your sacred wedding vows, and receive Bishop O'Connell's Episcopal Blessing. Due to the Covid19 pandemic, attendance at Mass is limited but will be livestreamed. Couples may register through their parish or online pending approval of their parish. For more information or to register online go to [www.dioceseoftrenton.org/bishops-anniversary-blessing](http://www.dioceseoftrenton.org/bishops-anniversary-blessing). The registration deadline is September 30.

# MASS Intentions

*"It is a holy and wholesome thing to pray for the living and the dead." II Mac. 12:46*

- Saturday, September 11**
- + 5:00 **Patricia VanClief**  
req M/M Louis D'Amico
- Sunday, September 12**
- + 8:00 **Dorothy Radziszewski**  
req Cathy Ferraro
- + 10:15 **Peter Cerreta, Sr.**  
req M/M A. Morsillo
- 11:45 **People of the parish**
- Monday, September 13**
- + 9:00 **Joseph Selvaggi**  
req Joann Selvaggi
- Tuesday, September 14**
- + 9:00 **Carmela Palmeri**  
req Loving Family
- Wednesday, September 15**
- + 9:00 **Leonard Ferrugia**  
req Mary Ann Collett
- + 7:00 **Carol Fisher**  
req Michael Heffernan
- Thursday, September 16**
- + 9:00 **Patricia Santaniello**  
req The Perrapato Family
- Friday, September 17**
- 9:00 **Special Intention for Mary Ann Collett**  
req M/M Ron Neal
- Saturday, September 18**
- 9:00 **Special Intention for Ginny Ball**  
req Fr. Tom
- 5:00 **People of the parish**
- Sunday, September 19**
- + 8:00 **Patti Kakstis**  
req Irene Smith
- + 10:15 **Anica Svorinic**  
req M/M Boze Bozicevic
- + 11:45 **Deceased member of the Kohler Fam.**  
req The Beyer Family



Please bring health, healing and hope to those in our community who are sick especially Ana Guillermo, Jonathon Capriotti, Emily Capriotti, Dakota Schick, Judy O'Connor, Anna O'Connor, Evelyn Zelif, Robby Isabella, Liz Czar, Michele Barbito, Maribel Mejias, Nuala Brennan, Ann Murphy, Yuri Turchin, Amy Sikorski, Deborah Lavin, Deacon Frank Jackson, Virginia Ball, John McCullam, Phil Giudice, we also ask you Lord, to watch over all those with incurable autoimmune diseases and for all those who are afflicted with MS, CF, Lou Gehrig's disease, for those who suffer from Alzheimer disease, dementia, addictions, and their families.

**God of all consolation, give life and health to our sisters and brothers for whom we pray in your Holy Name. Amen.**



The Flowers for Jesus are in memory of Carmela Palmeri.



Even though our missals are back, we still have The Word Among Us available in the parish office for purchase. It is a monthly publication that has the Mass, daily readings, Sunday readings and meditations in it. They cost \$5.

*"...Together we can do great things."*



[DioceseofTrenton.org/CatholicAppeal](http://DioceseofTrenton.org/CatholicAppeal)

The Annual Catholic Appeal mission remains the same as it was when it began; to financially empower the Church to serve all the people of God, regardless of belief. What's different today: the needs are greater than ever before. Thank you to the 128 donors who have already donated. They have given \$25,482, which is 91% of our goal of \$28,000. If you haven't given yet, please consider it. We only need \$2,518 to reach our goal. Pledge cards are in the parish office.

FORMED.org is a wonderful source of information to assist you on your spiritual journey. This is free and a wonderful source for adults as well as children. To sign up: go to [formed.org/signup](http://formed.org/signup), select our parish, register with your name and email address, check your email account for a link to begin using FORMED.



## Marking the days of Ordinary Time with the Saints

<p>Sunday September 12</p>	<p><b>First Reading:</b> <i>Isaiah 50:5-9a</i> The suffering servant of Yahweh is assured of God's help.  <b>Second Reading:</b> <i>James 2:14-18</i> James teaches that faith must be demonstrated in one's works.  <b>Gospel Reading:</b> <i>Mark 8:27-35</i> Peter declares that Jesus is the Christ, and Jesus teaches that those who would follow him must take up his or her cross.</p>
<p>Monday September 13 Saint John Chrysostom</p>	<p>Saint John Chrysostom was born at Antioch about the year 349. After an extensive education he embraced a life of asceticism. He was ordained a priest and distinguished himself by his preaching which achieved great spiritual results among his hearers. He was elected bishop of Constantinople in 397 and proved himself a capable pastor, committed to reforming the life of the clergy and the faithful. Twice he was forced into exile by the hatred of the imperial court and the envy of his enemies. After he had completed his difficult labors, he died at Comana in Pontus on September 14, 407. His preaching and writing explained Catholic doctrine and presented the ideal Christian life. For this reason he is called Chrysostom, or Golden Mouth.</p>
<p>Tuesday September 14 The Exaltation of the Holy Cross</p>	<p>This feast celebrates a double anniversary. In Jerusalem, Constantine erected a round church, the Anastasis, above the empty grave of Jesus, and a basilica, the Martyrium. In the square between the two churches, a shrine, Calvarium, marking the place of the crucifixion. Dedicated in 335, they were destroyed by the Persians in 614. The two churches were rebuilt by Patriarch Modestus of Jerusalem in 626, but were later destroyed by the Muslims in 1009. The present church of the Holy Sepulcher, rebuilt by the Crusaders, was dedicated in 1149. Today also commemorated the discovery of the Lord's cross by the empress, St. Helena in 320.</p>
<p>Wednesday September 15 Our Lady of</p>	<p>By the 14th century, the sorrows of Mary numbered seven: the presentation of Jesus in the Temple, the flight into Egypt, Jesus being lost in Jerusalem, the meeting of Mary and Jesus on the way to Calvary, the crucifixion, the taking down of Jesus' body from the cross, and his burial.</p>
<p>Thursday September 16 Saint Cornelius Saint Cyprian</p>	<p>Saint Cornelius was ordained bishop of the Church of Rome in 251. He fought against the Novation schismatics and with the help of Cyprian was able to enforce his authority. Driven into exile by the Emperor Gallus, he died in 253 at Civitavecchia. His body was brought to Rome where he was buried in the cemetery of Saint Callistus.</p> <p>Saint Cyprian was born of pagan parents in Carthage around the year 210. He was converted, ordained, and subsequently made bishop of that city in the year 249. By his writings and his actions Cyprian guided the Church through difficult times. In the persecution of Valerian he was exiled, then martyred on September 14, 258.</p>
<p>Friday September 17 Saint Robert Bellarmine</p>	<p>Saint Robert Bellarmine was born in 1542, in the town of Monte Pulciano in Tuscany. He entered the Society of Jesus and after ordination to the priesthood distinguished himself by brilliant disputations in defense of the Catholic faith. He also taught theology in the Roman College. Elected to the College of Cardinals and named bishop of Capua, he solved many pressing questions in the various Roman Congregations. He died at Rome in 1621.</p>



The Blessed Virgin Mary has promised to grant seven graces to the souls who honor her daily by saying seven Hail Mary's and meditating on her tears and sorrows. Learn to Pray the Seven Sorrows Rosary Below!

*The devotion was passed on by St. Bridget.*

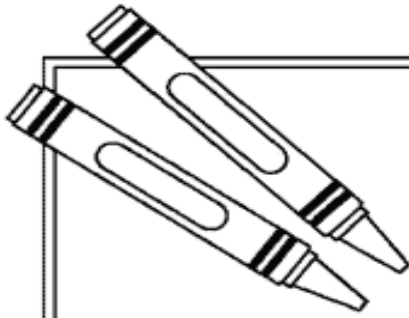
### **The seven promises:**

1. I will grant peace to their families.
2. They will be enlightened about the divine mysteries.
3. I will console them in their pains and I will accompany them in their work.
4. I will give them as much as they ask for as long as it does not oppose the adorable will of my divine Son or the sanctification of their souls.
5. I will defend them in their spiritual battles with the infernal enemy and I will protect them at every instant of their lives.
6. I will visibly help them at the moment of their death, they will see the face of their Mother.

I have obtained from my divine Son, that those who propagate this devotion to my tears and dolors, will be taken directly from this earthly life to eternal happiness since all their sins will be forgiven and my Son and I will be their eternal consolation and joy.

### **The Seven Sorrows of Our Lady:**

1. The prophecy of Simeon. (St. Luke 2:34, 35)
2. The flight into Egypt. (St. Matthew 2:13, 14)
3. The loss of the Child Jesus in the temple. (St. Luke 2: 43-45)
4. The meeting of Jesus and Mary on the Way of the Cross.
5. The Crucifixion.
6. The taking down of the Body of Jesus from the Cross.
7. The Burial of Jesus.

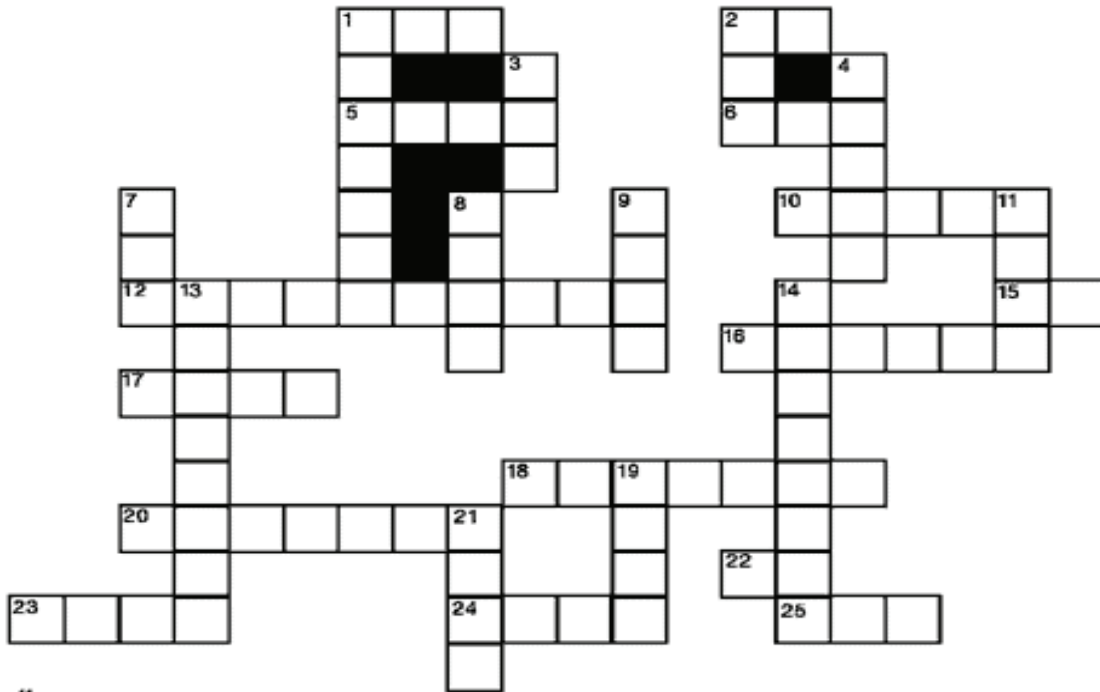


# Just for KIDS

## "Lord, Teach Us to Pray"

Jesus' disciples said, "Lord, teach us to pray."  
 Find the special prayer that Jesus taught them. Fit the words from the list into the squares on the puzzle.  
 Then, transfer them to the blank lines below.

- |     |      |      |       |          |            |
|-----|------|------|-------|----------|------------|
| be  | for  | come | name  | Father   | hallowed   |
| us  | not  | each | sins  | against  | temptation |
| we  | our  | Give | your  | Forgive  |            |
| And | who  | into | bread | Kingdom  |            |
| day | also | lead | daily | everyone |            |



“ \_\_\_\_\_ ’ \_\_\_\_\_ 14 \_\_\_\_\_ 22 \_\_\_\_\_ 11 \_\_\_\_\_ 19 \_\_\_\_\_ 11 \_\_\_\_\_ 18 \_\_\_\_\_ 24 \_\_\_\_\_ .  
 \_\_\_\_\_ 23 \_\_\_\_\_ 15 \_\_\_\_\_ 21 \_\_\_\_\_ 25 \_\_\_\_\_ 6 \_\_\_\_\_ 10 \_\_\_\_\_ 4 \_\_\_\_\_ . \_\_\_\_\_ 20 \_\_\_\_\_ 15 \_\_\_\_\_ 6 \_\_\_\_\_ 9 \_\_\_\_\_ ’  
 \_\_\_\_\_ 3 \_\_\_\_\_ 2A \_\_\_\_\_ 5 \_\_\_\_\_ 20 \_\_\_\_\_ \_\_\_\_\_ 13 \_\_\_\_\_ 2D \_\_\_\_\_ 9 \_\_\_\_\_ 1D \_\_\_\_\_ 15 \_\_\_\_\_ .  
 \_\_\_\_\_ 1A \_\_\_\_\_ 17 \_\_\_\_\_ 15 \_\_\_\_\_ 7 \_\_\_\_\_ 8 \_\_\_\_\_ \_\_\_\_\_ 12 \_\_\_\_\_ .”

Luke 11:2-4

## In-Home Senior Care

We provide all kinds of assistance, from personal care to light housekeeping. We keep seniors in their own homes and enable them to live independently.



fully licensed and insured



(732) 530-3636

697 Broad Street  
Shrewsbury, NJ

[www.comfortkeepers.com/centraljersey](http://www.comfortkeepers.com/centraljersey)

*Serving St. William the Abbot  
Parish Since 2001*

To all those essential workers keeping us safe.

Thank you your service is invaluable & appreciated.



**Quail Creek Pharmacy**  
2 Ramtown-Greenville Rd  
Corner Newtons Corner Rd., Howell  
**785-9711 • Fax 785-1543**  
Open Everyday  
Mona Salama - Pharmacist  
Raouf Salama - Pharmacist  
Personalized Service • Gifts • Greeting Cards

**Big**  
thank you  
to our  
ADVERTISERS

WORSHIP



WITH US

## RIDESHARE ZONE

**S** top  
**A** sk  
**M** atch  
**I** nform

#WHATSMYNAME

Do you have a favorite bulletin sponsor or sponsors?

*Flash Deal!*

Did you know your favorite sponsor could add a flash deal at any time to be found only on the **Finding FABER** app?



Finding FABER

Be sure to **FOLLOW** your favorite businesses & never miss a flash deal again!



**American Red Cross**

*Make a Difference in Your Community*

**VOLUNTEER**

with the American Red Cross

Join today at [redcross.org/Volunteer](http://redcross.org/Volunteer)

Local, trusted, proven, effective, supportive, referrals, relationships, affordable, repetitious, versatile, lasting.

This describes the power of...

*Church Bulletin Advertising*

Placing an ad in the parish bulletin supports the parish while building your business

- THAT'S A WIN WIN!

Call 1.800.333.3166 TODAY!

**O'Brien**  
FUNERAL HOME

Kevin C. O'Brien, Manager - NJ Lic. No. 4805  
[www.obrienfuneralhome.com](http://www.obrienfuneralhome.com)  
 505 Burnt Tavern Road • Brick, NJ 08724  
 732-899-8600  
 2028 Highway 35 • Wall Twp., NJ 07719  
 732-449-6900  
**Family Owned-Family First-Family Operated**

**catholicmatch\***  
New Jersey



[CatholicMatch.com/  
dateNJ](http://CatholicMatch.com/dateNJ)

Mark A. Santomenna, D.D.S.



Experience Positive, Personalized Care

Ramtown Plaza • 137 Newton's Corner Road  
 Howell, New Jersey 07731  
 Tel 732-206-0408  
 Fax 732-206-9807 [www.RamtownDental.com](http://www.RamtownDental.com)



**JORGE MORAN**  
Owner  
 Home Inspector Lic.# 24G100200700

18 Capitol Reef Road, Howell, NJ 07731  
**To Schedule An Inspection: 732.705.6464**  
**Direct Dial: 732.704.8918**

[jmoran@hometeam.com](mailto:jmoran@hometeam.com) • [www.hometeam.com/monmouth-county](http://www.hometeam.com/monmouth-county)  
*Each office is independently owned and operated*

**PEDIATRIC AFFILIATES** PA  
[www.pediaff.com](http://www.pediaff.com)

Infants, Children & Adolescent Medicine

Robert A. Shanik, M.D., F.A.A.P.  
 Ira Haimowitz, D.O., F.A.A.P.

Casino 9 • 1001 Rt. 9 N. • Howell, NJ 07731  
**732-905-9166**


**This Space is Available!**  
**800-333-3166 ext. 161**  
**[www.jpcc.net](http://www.jpcc.net)**

**Atlantic Medical Imaging**  
 The region's premier medical imaging experts

MRI • CT • Coronary CTA • Ultrasound  
 Nuclear Medicine • Dexa  
 Mammography • PET/CT

**Centers of Excellence:**  
 Wall, Brick, Toms River, Galloway, Mays Landing, Egg Harbor Township, Northfield, Somers Point, Cape May, Hammonton  
**(732) 223-XRAY (9729)**

**CONNECTING**  
 businesses to customers  
 in realtime!



Family Owned and Operated Since 1987

**FREE INSPECTION**  
 Licensed & Insured



**RIGHTWAY WATERPROOFING CO.**

BASEMENT WATERPROOFING  
 MOLD REMEDIATION  
 FOUNDATION REPAIR

**Church Member Discounts** **732-308-9988** **BBB**

[www.RightwayWaterproofing.com](http://www.RightwayWaterproofing.com)

*Thank our advertisers...*

**SUPPORT THEM**

*for they have supported us.*



Commercial Rates are at an **All Time Low**.  
 Contact us today to get a free analysis to see if we can help **Save you money** with your monthly payments on your commercial property. Multi-Family, Retail, Office Building, Apartment and Condos. Can close in as little as 45 days! Four season customer service is our top priority.

**[www.duqfunding.com](http://www.duqfunding.com)**  
 1650 Market Street - Suite 3600  
 Philadelphia, PA 19103

**Finding FIBER™**




**Mallory's Army Foundation**  
 United Together In The Fight Against Bullying...  
 Don't Just Teach Kindness... **BE KINDNESS!**

**[www.MallorysArmy.com](http://www.MallorysArmy.com)**  
 (973) 440-8657 • [info@mallorysarmy.org](mailto:info@mallorysarmy.org)  
 It's easy to join our mailing list! Just send your email address by text message:  
**Text MALLORYSARMY to 22828 to get started.**



 Message and data rates may apply.

Shop small - Shop local  
 - Support small business -

**PLEASE**  
 SUPPORT OUR SPONSORS  
 Tell them you saw their ad here!

